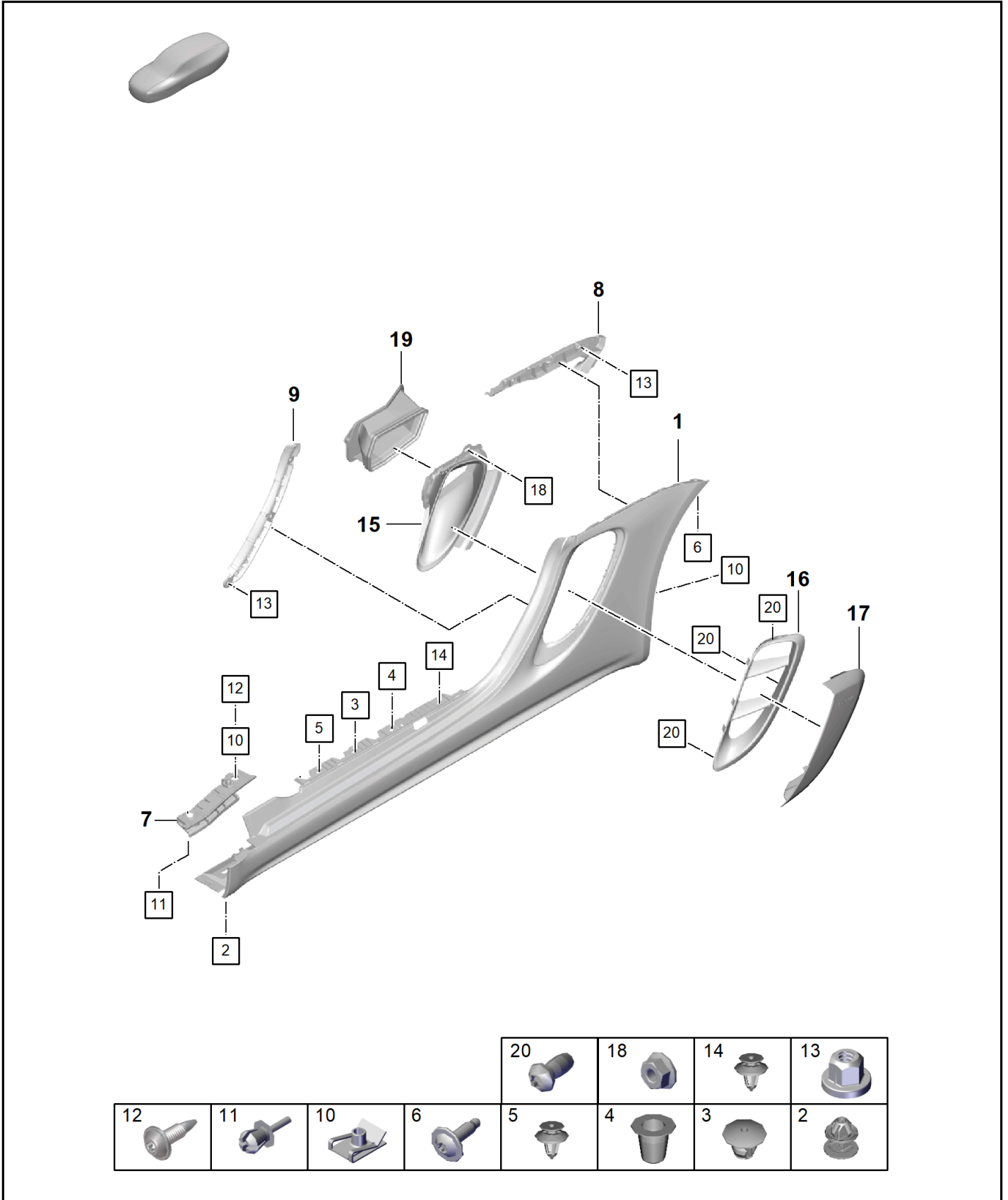


Model	Year	MG	SG	Illustration	Restrictions	UPD	16:02	13.01.2022
GT4-2	2020	8	01	801-900		642		



Model	Year	MG	SG	Illustration	Restrictions	UPD	16:02	13.01.2022
GT4-2	2020	8	01	801-900		642		

Pos	Part Number	Description	Remark	Qty	Model
1	982 853 563	Side member trim and Air guide Engine bay			
	01/19 G2X	Side member trim Trim	left	1	
(1)	982 853 564	Side member trim Trim	right	1	
	01/19 G2X	primed			
2	981 504 597 00	Fasteners Side member trim		8	
3	999 591 413 40	Retaining clip	9,80	8	
4	999 702 403 40	Grommet	9,5X14,0	8	
5	999 507 999 40	Retaining clip	8,1X2,00	8	
6	9A7 007 517 00	panel screw	ST4,8X19-C	8	
7	982 854 541	retaining strip Wing Side member trim	front left	1	
(7)	982 854 542	retaining strip Wing Side member trim	front right	1	
8	982 854 943 A	retaining strip Side part Side member trim	rear left	1	
(8)	982 854 944 A	retaining strip Side part Side member trim	rear right	1	
9	982 854 945	retaining strip	left center	1	
(9)	982 854 946	retaining strip	right center	1	
10	999 507 309 03	panel nut Discontinued part	ST4,8	1	
10	N 912 425 01	clamping nut Speed nut	ST4.8X22X18	1	
11	955 618 625 00	Spreader rivet		2	
13	999 049 032 40	Hexagon plastic collar nut	T6/22X10,5	12	
14	999 507 999 40	Retaining clip	8,1X2,00	8	
15	982 815 265 A	Air guide	left inner	1	

Model	Year	MG	SG	Illustration	Restrictions	UPD	16:02	13.01.2022
GT4-2	2020	8	01	801-900		642		

Pos	Part Number	Description	Remark	Qty	Model
	01/19 OK1	Matt black			
(15)	982 815 266 A	Air guide	right inner	1	
	01/19 OK1	Matt black			
16	982 853 189 B	Trim for air inlet Discontinued part	left inner	1	
	01/19 OK1	Matt black			
16	982 853 189 E	Trim for air inlet	left inner	1	
	01/19 OK1	Matt black			
(16)	982 853 190 B	Trim for air inlet Discontinued part	right inner	1	
	01/19 OK1	Matt black			
(16)	982 853 190 E	Trim for air inlet	right inner	1	
	01/19 OK1	Matt black			
17	982 853 241	Trim for air inlet Discontinued part	left also use: 981 505 869 80	1 1	PR:789
	01/19 G2X	primed			
17	982 853 241 A	Trim for air inlet Discontinued part	left also use: 981 505 869 80	1 1	PR:789
	01/19 G2X	primed			
(17)	982 853 242	Trim for air inlet Discontinued part	right also use: 981 505 870 80	1 1	PR:789
	01/19 G2X	primed			
(17)	982 853 242 A	Trim for air inlet Discontinued part	right also use: 981 505 870 80	1 1	PR:789
	01/19 G2X	primed			
18	9A7 007 462 00	Hexagon nut	M6-S-SC	1	
19	981 504 657 05	Air guide channel	left inner	1	
(19)	981 504 658 05	Air guide channel	right inner	1	
20	N 911 768 01	Hexagon socket flat head bolt	5X10	3	